



Features

- 3in Voicecoil
- High Sensitivity
- Neodymium Magnet
- Advanced Cooling System

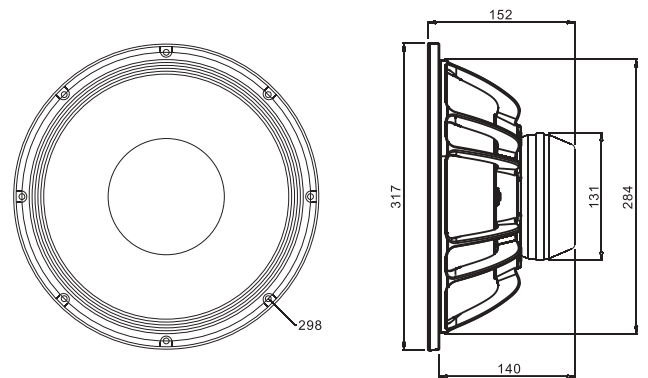


Specifications

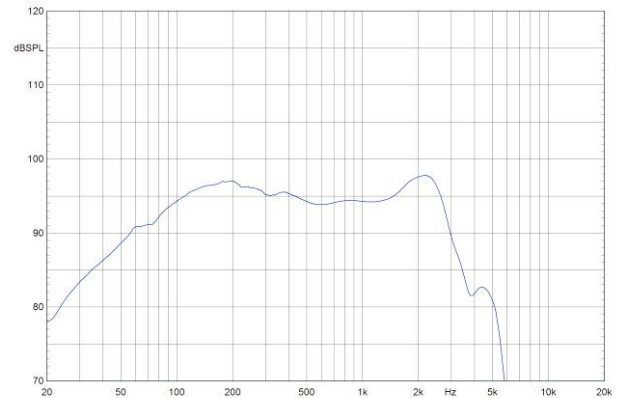
| | |
|----------------------------------|--------------|
| Nominal Diameter | 320mm (12in) |
| Nominal Power (AES) ¹ | 450W |
| Program Power ² | 900W |
| Sensitivity (1W/1m) ³ | 97dB |
| Voice Coil Diameter | 76mm (3in) |
| Magnet Material | Neodymium |
| Nominal Impedance | 8Ω |
| Frequency Range | 44 - 3500Hz |

Thiele & Small Parameters

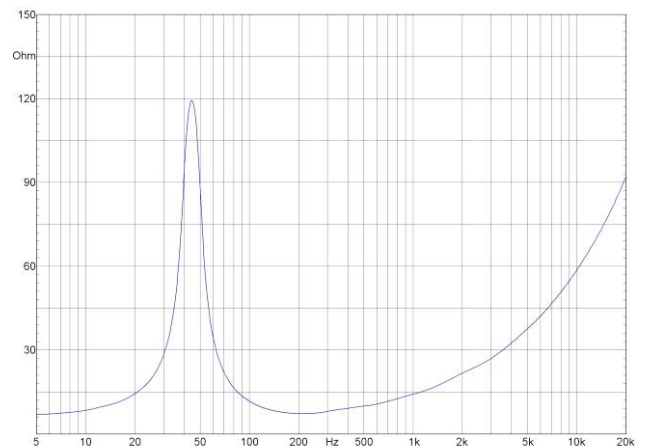
| | |
|--------------------------|--------------------|
| Fs | 44.1Hz |
| Qes | 0.26 |
| Qts | 0.25 |
| Qms | 7.5 |
| Re | 5.2Ω |
| Sd | 531cm ² |
| Vas | 59.2L |
| BxL | 22.0Tm |
| Mms | 87.7g |
| Le (1kHz) | 1.4mH |
| Xmax (lin.) ⁴ | ±6.75mm |



Frequency response measured in a quasi-infinite baffle



Impedance for 8Ω driver



Mounting Information

| | |
|-------------------------|----------------|
| Overall Diameter | 317mm |
| Mounting Holes Diameter | 8x 8mm x 6.5mm |
| Bolt Circle Diameter | 298mm |
| Baffle Cutout | 285mm |
| Overall Depth | 152mm |
| Net Weight | 5.2kg |

- Notes:**
- 1 2 hours test with pink noise (6dB crest) between Fs and 10Fs. Power calculated on rated minimum impedance.
 - 2 Program Power is defined as 3dB greater than the AES Power
 - 3 RMS Voltage set to 2.83V at nominal impedance
 - 4 Xmax is defined as (Hc - Hg)/2