



SANWAY AUDIO

<https://www.china-sanway.com>

21SW153-8

21in Subwoofer

Features

- Carbon Fiber Cone
- 6in Sandwich Voicecoil
- Double Silicone Spider Design
- Advanced Cooling System

Specifications

Nominal Diameter	530mm (21in)
Nominal Power (AES) ¹	1800W
Program Power ²	3600W
Sensitivity (1W/1m) ³	98dB
Voice Coil Diameter	153mm (6in)
Magnet Material	Ceramic
Nominal Impedance	8Ω
Frequency Range	33 - 1200Hz

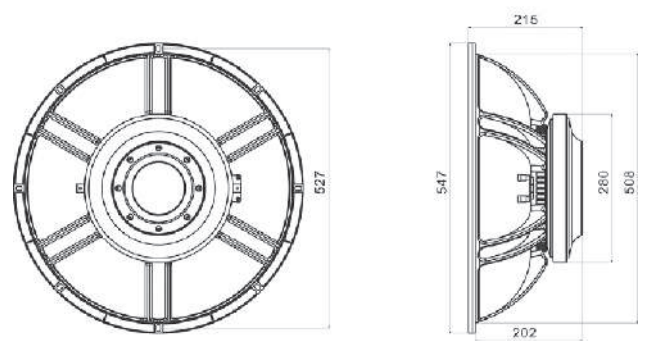
Thiele & Small Parameters

Fs	32.4Hz
Qes	0.43
Qts	0.41
Qms	11.9
Re	4.5Ω
Sd	1742cm ²
Vas	299.0L
BxL	26.8Tm
Mms	343.1g
Le (1kHz)	1.8mH
Xmax (lin.) ⁴	±9.5mm

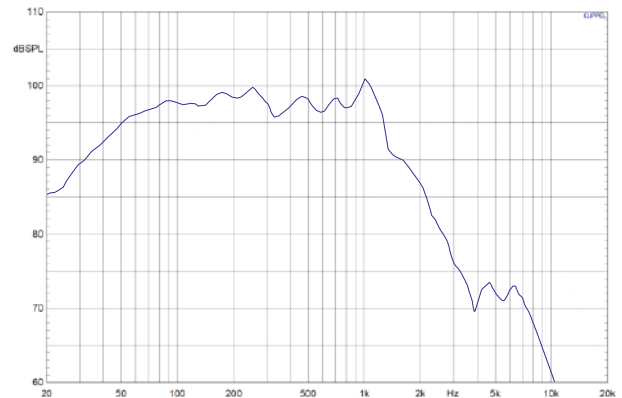
Mounting Information

Overall Diameter	547mm
Mounting Holes Diameter	8x 12mm x 8mm
Bolt Circle Diameter	527mm
Baffle Cutout	509mm
Overall Depth	215mm
Net Weight	17.5kg

Notes: 1 2 hours test with pink noise (6dB crest) between Fs and 10Fs.
 Power calculated on rated minimum impedance.
 2 Program Power is defined as 3dB greater than the AES Power
 3 RMS Voltage set to 2.83V at nominal impedance
 4 Xmax is defined as (Hc - Hg)/2



Frequency response measured in a quasi-infinite baffle



Impedance for 8Ω driver

