



SANWAY AUDIO

<https://www.china-sanway.com>

18ND127

18in Subwoofer

Features

- Carbon Fiber Cone
- 5in Sandwich Voicecoil
- Double Silicone Spider Design
- Neodymium Magnet
- Advanced Cooling System

Specifications

Nominal Diameter	460mm (18in)
Nominal Power (AES) ¹	1600W
Program Power ²	3200W
Sensitivity (1W/1m) ³	97dB
Voice Coil Diameter	127mm(5in)
Magnet Material	Neodymium
Nominal Impedance	8Ω
Frequency Range	40 - 1000Hz

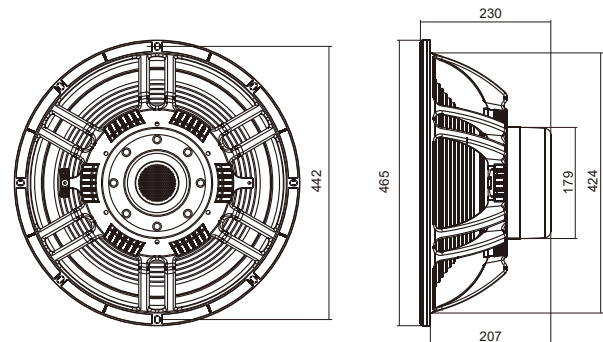
Thiele & Small Parameters

Fs	37.2Hz
Qes	0.3714
Qts	0.3510
Qms	6.4065
Re	4.8 Ω
Sd	1257 cm ²
Vas	166.2L
BxL	27.08Tm
Mms	242.8g
Le (1kHz)	1.85mH
Xmax (lin.) ⁴	±9.5mm

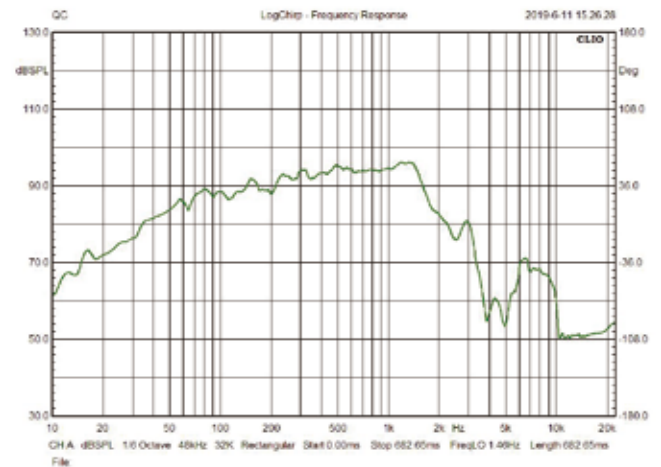
Mounting Information

Overall Diameter	465mm
Mounting Holes Diameter	7mm
Bolt Circle Diameter	442-447mm
Baffle Cutout	424mm
Overall Depth	230mm
Net Weight	13.9kg

Notes: 1 2 hours test with pink noise (6dB crest) between Fs and 10Fs. Power calculated on rated minimum impedance.
 2 Program Power is defined as 3dB greater than the AES Power
 3 RMS Voltage set to 2.83V at nominal impedance
 4 Xmax is defined as (Hc - Hg)/2



Frequency response measured in quasi-infinite-baffle



Impedance for 8Ω driver

