



14NA100

Features:

- 1400W continuous program power capacity
- 100mm (4 in) aluminum voice coil
- 45 - 2000Hz response
- 99dB sensitivity
- Aluminium demodulating ring allows a very low distortion figure
- Double silicone spider with optimized compliance
- Ventilated voice coil gap for reduced power compression



Specifications

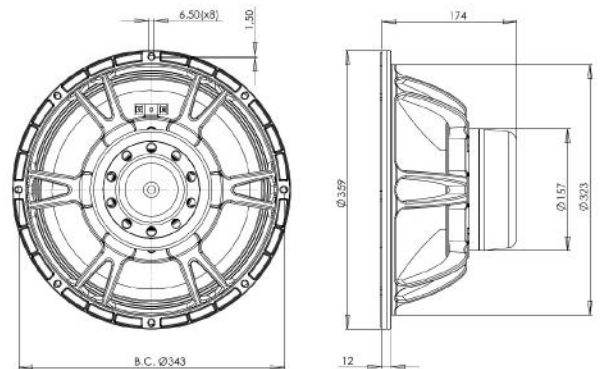
Nominal Diameter	359mm(14.0 in)
Nominal Power (AES) ¹	700W
Program Power ²	1400W
Sensitivity (1W/1m) ³	99.0dB
Voice Coil Diameter	100mm(4.0 in)
Magnet Material	Neodymium Inside Slug
Nominal Impedance	8Ω
Frequency Range	45-2000Hz

Thiele & Small Parameters

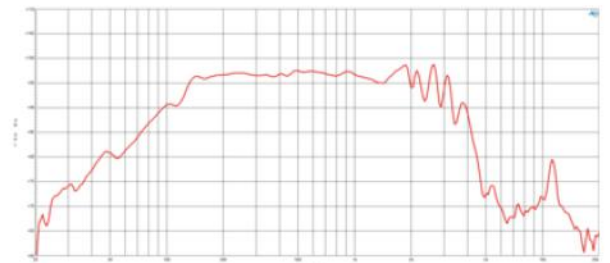
Qes	0.24
Qts	0.23
Qms	5.6
Re	5.1Ω
Sd	707.0cm ²
Vas	99.5dm ³
BxL	23.5Txm
Mms	96.5g
Le (1kHz)	0.74mH

Mounting Information

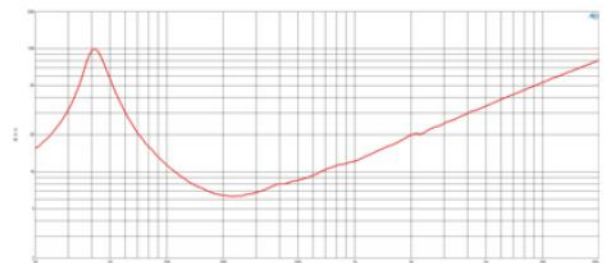
Overall Diameter	359mm(14.13 in)
Bolt Circle Diameter	343mm(13.5 in)
Baffle Cutout	324.0mm(12.76 in)
Overall Depth	176mm(6.93 in)
Net Weight	8.3kg(18.3 lb)



Frequency response measured in a quasi-infinite baffle



Impedance for 8Ω driver



1. 2 hours test made with continuous pink noise signal within the range Fs-10Fs. Power calculated on rated minimum impedance. Loudspeaker in free air.
 2. Power on Continuous Program is defined as 3 dB greater than the Nominal rating.
 3. Applied RMS Voltage is set to 2.83 V for 8 ohms Nominal Impedance.
 4. Thiele-Small parameters are measured after a high level 20 Hz sine wave preconditioning test.